



Pie Chart System



Description

Coffee table system built fully in solid wood, and made out of five different units: quarter circle table, quarter circle container, half circle table, half circle container and three quarter circle table. The container options provides a storage solution with a removable lid. The modules can be combined together, allowing almost endless configurations, thus giving the customer great versatility.

Dimensions

Quarter Circle Table – W: 40cm; D: 40cm; H: 40cm
Quarter Circle Container – W: 40cm; D: 40cm; H: 40cm
Half Circle Table – W: 80cm; D: 40cm; H: 40cm
Half Circle Container – W: 80cm; D: 40cm; H: 40cm
Three Quarter Table – W: 80cm; D: 80 cm; H: 40cm

Finishes

Solid wood selection: oak, American walnut.

Stained solid wood selection: white, yellow, deep blue, pale green, deep green, deep red, grey, black.

Notes

Available in custom made colours and solid wood finishes.

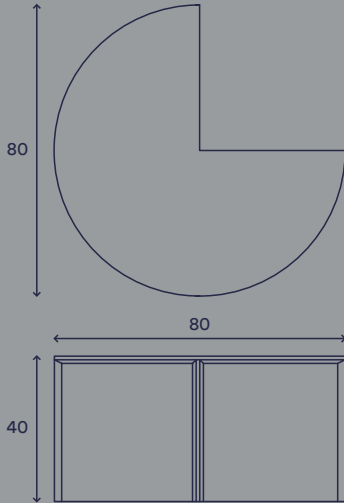
Above – Wood: half circle table in oak stained black; quarter circle container in oak; three-quarter circle table in oak stained yellow



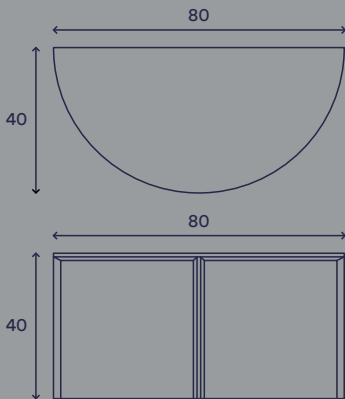
Pie Chart System

Notes

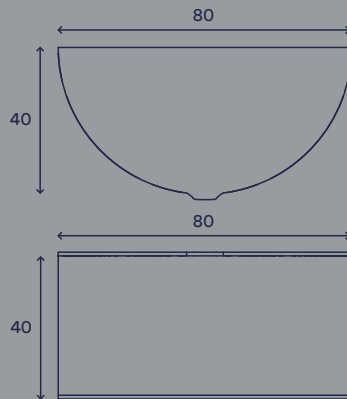
Available in custom made sizes.



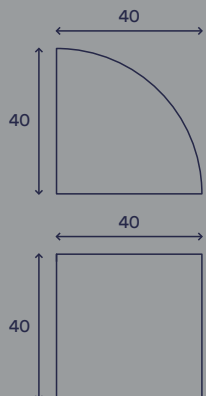
Three-quarter table



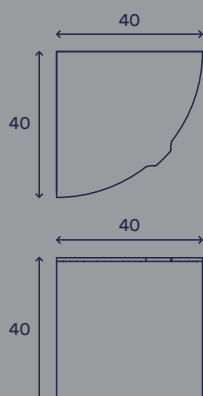
Half circle table



Half circle container



Quarter circle table



Quarter circle container



Materials

Solid Wood



Oak



American Walnut

Stained Wood



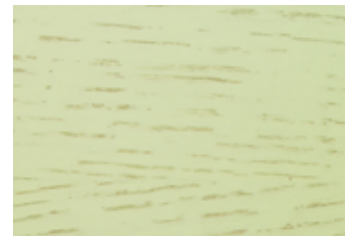
Yellow



Deep Blue



Deep Green



Pale Green



Deep Red



White



Grey



Black



Contact

Call **+44 7427 665 810**

Email **hello@hfurniture.co**

Email **sales@hfurniture.co**

Visit **www.hfurniture.co**